

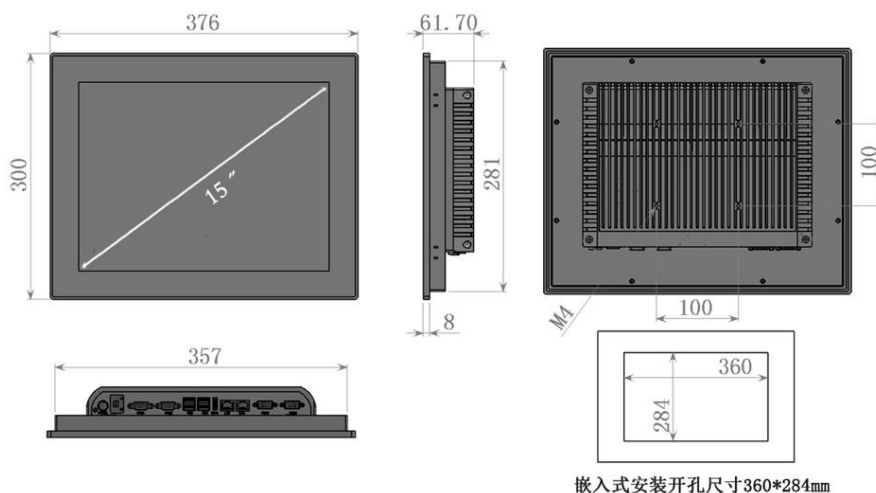
## 产品图片



## 产品特性

- ◆ Intel 8th/10th Cost-effective CPU
- ◆ One SO-DIMM memory, Max support 16GB DDR4
- ◆ Front panel aluminum alloy die-casting, High temperature anticorrosion, IP65 protection class
- ◆ The rear shell is made of aluminum alloy die-casting, Good heat dissipation, beautiful and sturdy
- ◆ Wall mount/Rack mount/Desktop stand/100 X 100mm VESA installation method
- ◆ Industrial grade LED LCD display
- ◆ High temperature analog resistive touch screen, supporting 35 million clicks
- ◆ Two full-size mini-PCIe (One is configurable with mSATA)
- ◆ Support one Msata SSD or 2.5inch SATA SSD
- ◆ Dual Intel Gigabit network interfaces
- ◆ Two full-function RS232/422/485, BIOS setup mode

## 产品尺寸和接口布局



## 订购信息

Type	SOC	Memory	Storage	SSD	USB3	COM	LAN	PCIe
AIPAD-15CMU05	5205U	1SODIMM	1SATA	1mSATA	4	4	2	mPCIe
AIPAD-15CMUi5	i5-10210U	1SODIMM	1SATA	1mSATA	4	4	2	mPCIe
AIPAD-15CMUi7	i7-10510U	1SODIMM	1SATA	1mSATA	4	4	2	mPCIe

## 配件清单

配件描述	规格	数量
用户手册		1
电源适配器	全汉+19V 或者+20V 电源适配器 (改带螺丝 DC 插头)	1

## 产品规格

Type	AIPAD-15CMU
LCD Panel	15" SXGA TFT LCD, 4:3
Resolution	1024 X 768 pixels, 0.264mm×0.264mm
Color & Frequency	16.7M color, 60~75Hz frequency
Brightness & Contrast	Brightness: 350cd/m2, Perspective: (H)160/(V)140, Contrast: 1000:1
Touchscreen	4096*4096, Light transmittance of more than 92%, supporting 35 million touches
Display	HDMI 1.4 max resolution up to 4096*2160@24Hz
Wifi/NFC	Preset Wifi/4G antenna installation position
Pilot Lamp	Power indicator, hard disk indicator
IP	Front panel IP65 waterproof
Reliability	WLED works for 50000 hours, mean time between failures: MTBF≥50000h
Power	Input voltage: DC 12~30V (standard power adapter 19V 60W)
Cooling system	The rear shell is made of aluminum alloy die-casting, Good heat dissipation
Operating Environment	Normal temperature: 0°C ~ 45°C, relative humidity 20% ~ 80% Wide temperature: -10~60°C, relative humidity 20%~80%
Storage Environment	Temperature -40°C ~ 80°C; Relative humidity 20% ~ 90%(40°C)
Anti-vibration	2.5" HDD: Operating 1Grms@5~500Hz , non-working state: 2Grms@5~500Hz SSD: Operating 3Grms@5~500Hz , non-working state: 3Grms@5~500Hz
Shock Resistance	SSD: Operating, 15G@11mshalf sine wave, non-working state: 50G
Mounting	Wall mount/Rack mount/Desktop stand/100 X 100mm VESA installation method
Dimensions	376mm × 300mm × 61.7mm
CPU	Onboard Intel 8/10th 5205U, i5-10210U, i7-10510U
Chipset	Intel WSK-U SOC or CML-U SOC
Memory	Support one DDR4 SO-DIMM memory, MAX 16GB
GPU	Intel SKL/KBL integrated HD Graphics 620/520/510
Storage	Support one SATA3.0+PWR 4pin 2.54mm , support one mSATA
Audio	1 x SPK_OUT, 1x4pin, 2.0mm
Ethernet	2 个 Intel i211AT RJ45 Gigabit network interface
USB	4 USB3.0, 2 pins USB2.0, 3 USB2.0 integrated MIX-IO
COM	COM1, COM2 support RS232/422/485 COM3,COM4 support RS232 (MIX-IO); COM5,COM6, 2x5pin, 90°, 2.0mm
USB	4 USB3.0, 2 pins USB2.0
TPM	Onboard encryption chip SLB9670, support TPM2.0
Expansion	1 个 Mini-PCIe (SIM slot support 4G module)
Watch Dog	255 levels, 1 to 255 sec
BIOS	AMI UEFI BIOS
OS	Win10 / Linux , 32bit/64bit