

ISF105TF-P

Industrial Ethernet Switch

Introduction

The ISF105TF-P is a 5-port industrial unmanaged PoE Ethernet switch that comes with 4 PoE ports, supporting 802.3af/at standard, IEEE 802.3 and IEEE 802.3u/x with 10/100M full/half-duplex, MDI/MDI-X auto-sensing. With wide operating temperature ranging from -40 to 75°C, IP40 rated housing, and 46~57VDC redundant power input, it is able to work in variable industrial environments.



Features

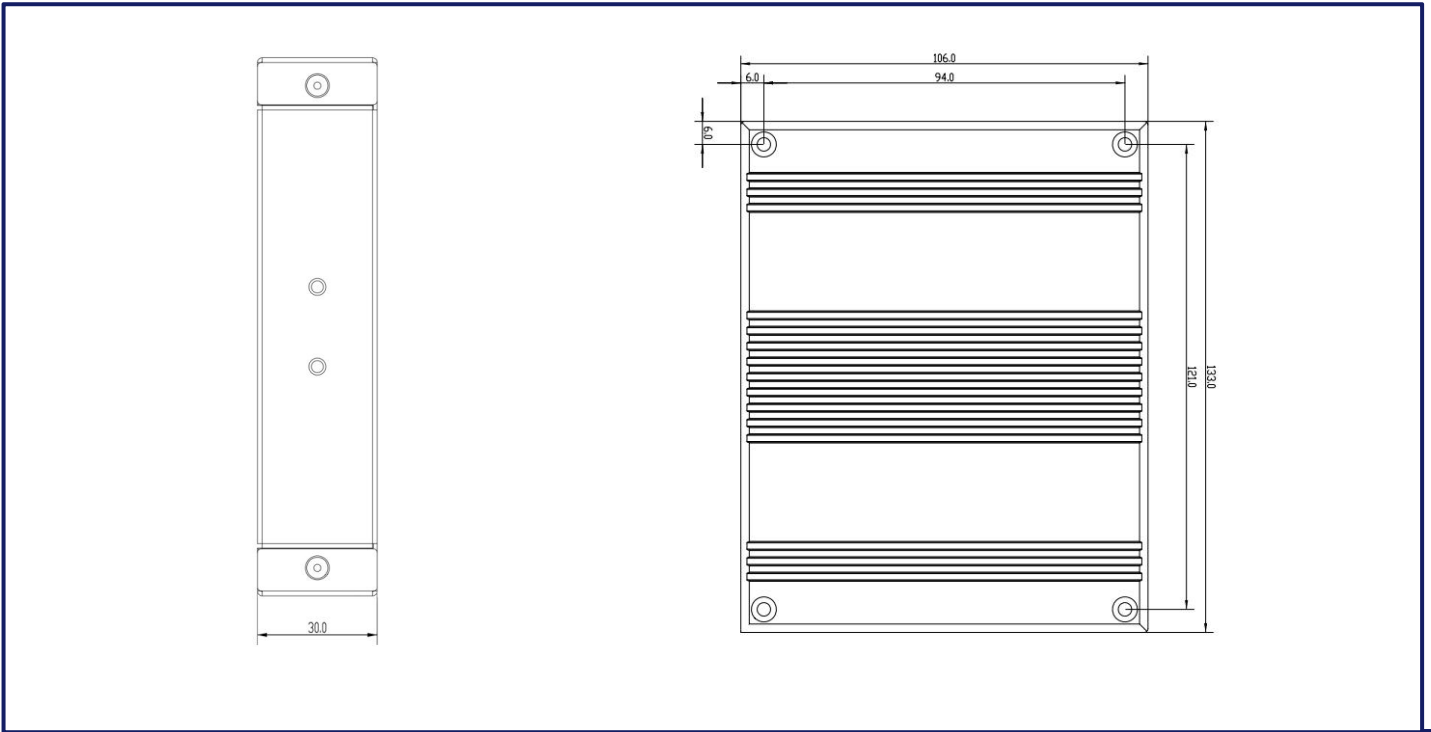
- 4*10/100BaseT(X), 1*100MB SFP
- 4 PoE ports with IEEE802.3af/at standard
- Up to 120W power budget
- Redundant dual 46~57VDC power inputs
- IP40 metal housing
- -40 to 75°C wide operating temperature range



Specifications

PORT	10/100BaseT(X) Ports	4
	100MB SFP Ports	1
	PoE Ports(10/100Base-T)	4
	Power over Ethernet	IEEE 802.3af/at, 120W power budget
Performance	Switching capacity	1Gbps
	Auto-negotiation	Supported
	Auto-MDI/MDIX	Supported
Power supply	Input range	46~57VDC, redundant dual power inputs
	Connection	1 removable 4-contact terminal block(s)
	Overload Current Protection	Supported
	Reverse Polarity Protection	Supported
LED	Port LED	Green: link/active; Yellow: PoE
Mechanical	Dimension (W x D x H) mm	136*109*30
	Installation	DIN-rail mounting
	IP Rating	IP40
Environment	Operating Temperature	-40 to 75°C (-40 to 167°F)
	Storage Temperature	-40 to 85°C (-40 to 185°F)
	Ambient Relative Humidity	5 to 95% (non-condensing)
Standards and Certifications	EMC	EN 55032/24
	EMI	CE, CISPR 32, FCC Part 15B Class A
	EMS	IEC 61000-4-2 ESD: Contact: 6 kV; Air: 8 kV IEC 61000-4-3 RS: 80 MHz to 1 GHz: 10 V/m IEC 61000-4-4 EFT: Power: 2 kV; Signal: 1 kV IEC 61000-4-5 Surge: Power: 2 kV; Signal: 2 kV IEC 61000-4-6 CS: 10 V IEC 61000-4-8 PFMF
	Safety	EN 60950-1, EN 60950-1 (LVD)
	Shock	IEC 60068-2-27
	Vibration	IEC 60068-2-6
	Freefall	IEC 60068-2-31
	Warranty	Warranty Period

Dimensions



Order Information

Model	Description
ISF105TF-P	4-port RJ45 + 1*SFP Fast Ethernet Switch with PoE; slim type.