

JEC-1300 (AIBOX-EHL)

Fanless Embedded System



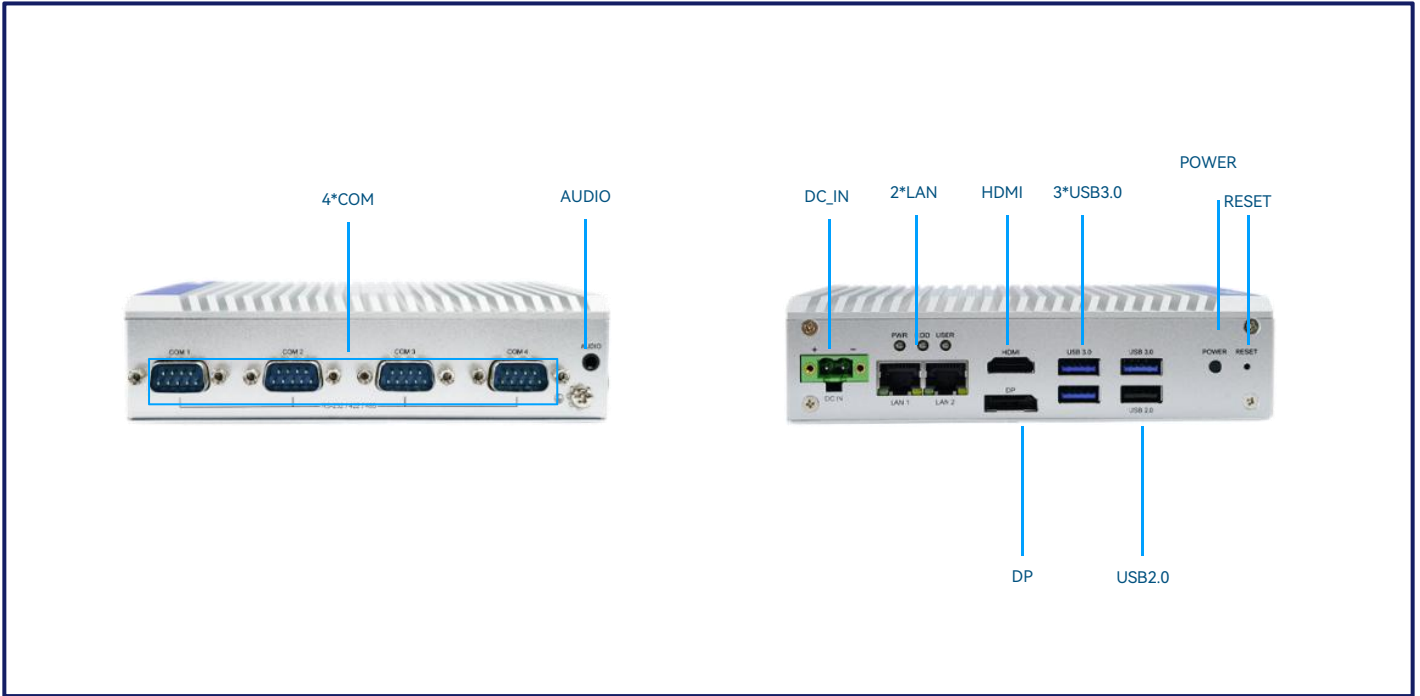
- Intel Elkhart Lake J6413 Quad Core
- Dual Display HDMI+DP
- 2 x RJ45 2.5Gb Ethernet
- Supports M.2 3042/3052 4G ,5G module
- Supports M.2 Key-M 2242/2280 SATA SSD
- 4 x COM , RS232/422/485
- MIO1: 2*2.5GbE,4*SWLAN,16GPIO,PS2,3USB3,5USB2,6COM, M.2-3052(Optional Wifi)
- MIO2: 2*2.5GbE,3USB3.0,10USB2.0,14COM,M.2-3052(Optional Wifi)

01 Specifications

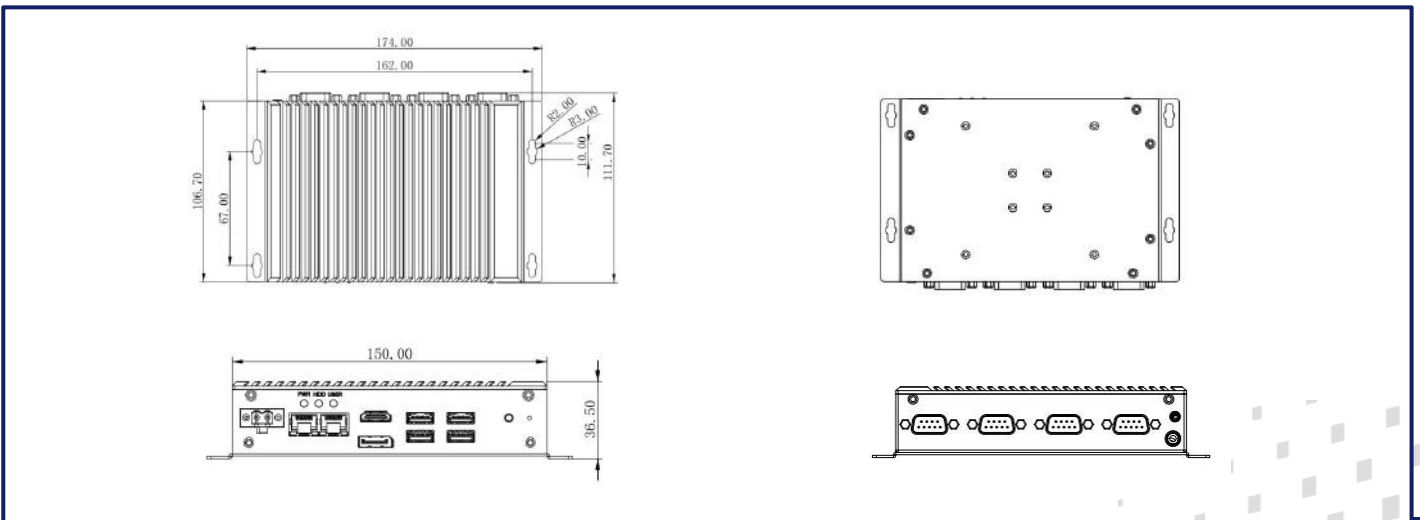
CPU	CPU	Intel® Celeron® J Quad Core , Frequency 1.80 GHz , Max Turbo Frequency 3.00 GHz, TDP 6W
	Chipset	Intel Elkhart Lake SOC
Memory	SSD	1× DDR4 SODIMM Max. Capacity DDR4-3200 Up to 32GB
	SATA/M.2/mSATA	1 x SATA3.0+PWR; 1 x M.2 2242/2280 (SATA)
Display	Controller	Intel CPU Gen.11 Graphics Engines
	VGA/DVI-D/HDMI/DP	Dual Display HDMI+DP HDMI2.0 max resolution up to 4096*2160@60Hz DP1.4 max resolution up to 4096*2160@60Hz
Ethernet	Network Interface Card	2 x LAN1 & LAN2: 2.5Gb (i211 & i219)
I/O	USB	4 x Type-A: 3 x USB3.1 , 1 x USB2.0, 2 x USB2.0 supports 2.0mm Wafer
	COM	COM1, COM2, COM3, COM4 supports RS232/422/485(setup by BIOS)
	Audio	Mic-in+Line-out (2-in-1) , supports Digital audio output with power amplifier(3W, 4Pin wafer)
	PS2	-
Expand	Other	1 x M.2 Key-B 3052 supports 4G/5G Wireless module (USB3+PCIe x1) 1 x MIX-IO (Customizable) Bus integration SGMII/PCIeX1/16GPIO/2xCOM/2xUSB2.0/PS2 /SM bus
Other	Watch dog	255-level timer interval, setup by software, Support timeout interrupt or system reset
Power	Power Type	DC +10V~30V 2Pin input, Power switch , LED Indicators 13.1W (dispose J6413,8GB memory,32GB SSD,Extensionless)
Software	BIOS	AMI UEFI/Legacy BIOS
Operating System	Windows/Linux	Win10 x64, Win11 x64, Linux Ubuntu 22.04, CentOS 8
Environment	Temperature & Humidity	Storage Temperature -40°C ~ 85°C; Relative Humidity 5% ~ 95% (40°C) , 85~105kPa Operating Temperature-20°C ~ 60°C; Relative Humidity 10% ~ 85%, 85~105kPa
	Vibration Resistance	for 2.5" HDD: 1Grms@5~500Hz in working, 2Grms@5~500Hz non-operating state for SSD: 3Grms@5~500Hz in working ,5Grms@5~500Hz non-operating state
	Shock During Operation	for SSD: 15G, half sine, 11m duration
Dimensions	L*W*H	150 x 107 x 39 (mm)

* All product specifications are subject to change without notice.

02 Product view



03 Dimensions



04 Product Selection

Part No.	CPU	Display	DIMM	LAN	USB3	USB2	COM	SATA	M.2
JEC-1300	J6413	2	1	2	3	1	4	1	2