

E608

Based on NVIDIA JETSON ORIN

The JWIPC E608 is based on the NVIDIA Jetson Orin Nano module with a maximum computing power of 40 TOPS. Equipped with dual Gigabit Ethernet ports, multiple serial ports, and multiple USB ports, it is suitable for various AI edge computing scenarios, such as smart cities, intelligent transportation, smart communities, smart access control, smart retail, and smart construction sites

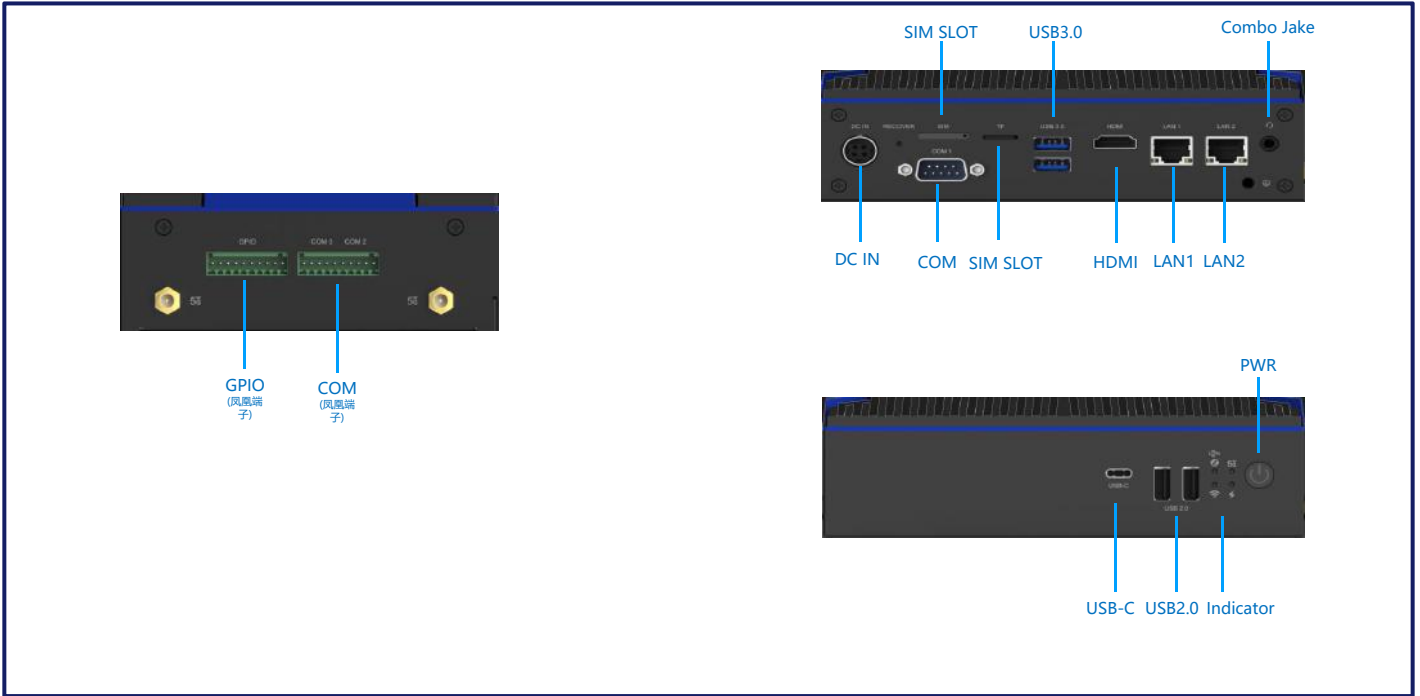


- Jetson Orin Nano series modules
- Orin NANO 4GB/8GB RAM optional
- Support M.2 NVME SSD Storage
- Support HDMI Out
- Dual Gigabit Ethernet ports
- M.2 expansion for WIFI/BT
- M.2 expansion for 4G/5G
- 6 USBs, 4 COMs
- Support TPM/TCM
- Support Ubuntu

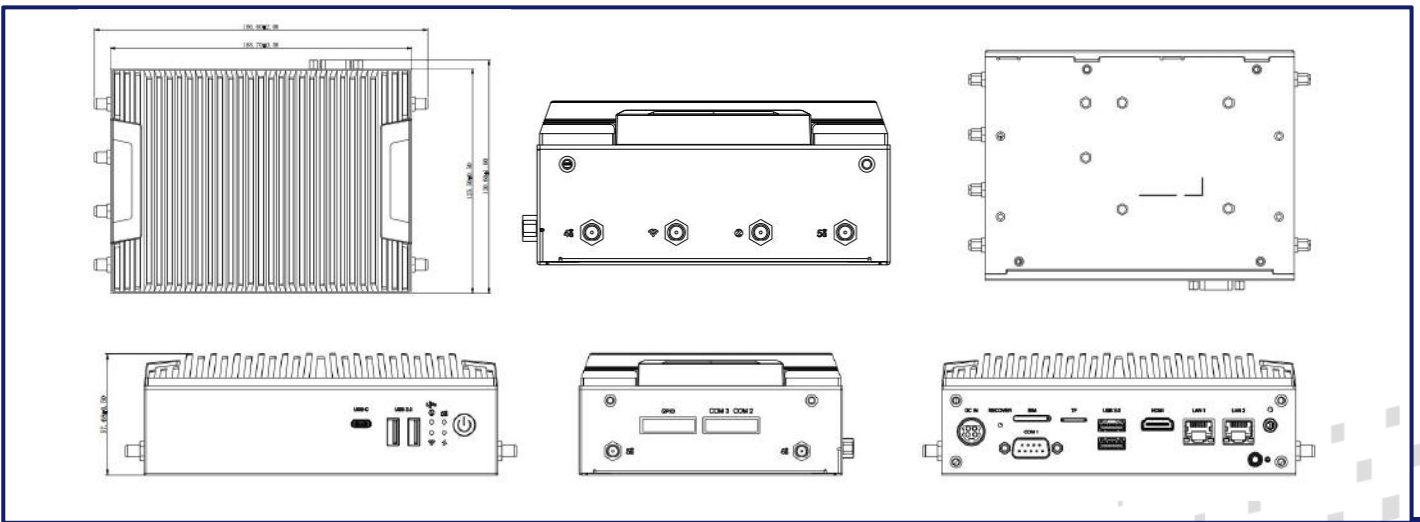
01 Specifications

ORIN Module	Jetson Orin Nano 4GB	Jetson Orin Nano 8GB
CPU	Support 6 Cores Arm® Cortex®-A78, 1.5Ghz	
GPU	Ampere,512 CUDA Cores,16 Tensor Cores,625Mhz	Ampere,1024 CUDA Cores,32 Tensor Cores,625Mhz
NPU	20Tops Int8	40Tops Int8
RAM	LPDDR5 4GB	LPDDR5 8GB
Storage	1 x M.2 2280 NVME SSD 1 x TF Slot	
Wired Network	2 x RJ45, 10/100/1000Mbps	
Wireless Network	1 x M.2 Key-B for 4G/5G module 1 x M.2 Key-E for WIFI/BT module, WIFI5/WIFI6 is optional 1 x Mini-PCIe for Lora wireless (optional)	
Display	1 x HDMI Out, up to 4k@30Hz	
Audio	1 x 3.5mm Combo Jack (CTIA)	
USB	IO: 2 x USB3.0 Type-A, 2 x USB2.0 Type-A; 1 x TYPE-C (USB3.0&OTG)	
COM	IO: 1 x 10pin Phoenix terminal (1*RS232+1*RS485) , 1 x DB9 (RS232/485 optional) Onboard: 1 x 4pin (RS232/TTL optional)	
GPS	Onboard GPS Module (Optional)	
TPM/TCM	Onboard TCM Module (Z32H330TC); USB2.0 Pin (for encryption module)	
Expansion Slots	1 x 10pin Phoenix terminal (4 input, 4 output) 1 x SIM Slot 2 x JLED Pin 1 x JPWR_ON 1 x CPU FAN Pin 1 x Buzzer 1 x CAN Pin 1 x Recovery Key	
Power Supply	IO: 12V DC IN, 5.5*2.5mm DC JACK Pin : 1 x 12V DC IN, 4pin , 1 x 12V DC OUT, 4pin	
Dimensions	187mmx 131mmx 54mm	
OS	Ubuntu20.04	
Operating Conditions	0°C~60°C, 10%~90% non-condensing	
Storage Conditions	-20°C~70°C, 5%~95% non-condensing	

Product view



Dimensions



Order Information

Model	Configuration
E608-A	Jetson Orin Nano/4GB /64GB/WIFI5/6*USB/2*RS485+2*RS232 (Support 5G, Lora Optional)
E608-B	Jetson Orin Nano/8GB /128GB/WIFI5/6*USB/2*RS485+2*RS232 (Support 5G, Lora Optional)