

E618

Based on NVIDIA JETSON ORIN

The JWIPC E618 is based on the NVIDIA Jetson Orin NX module with a maximum computing power of 100 TOPS. Equipped with dual Gigabit Ethernet ports, multiple serial ports, and multiple USB ports, it is suitable for various AI edge computing scenarios, such as smart cities, intelligent transportation, smart communities, smart access control, smart retail, and smart construction sites.

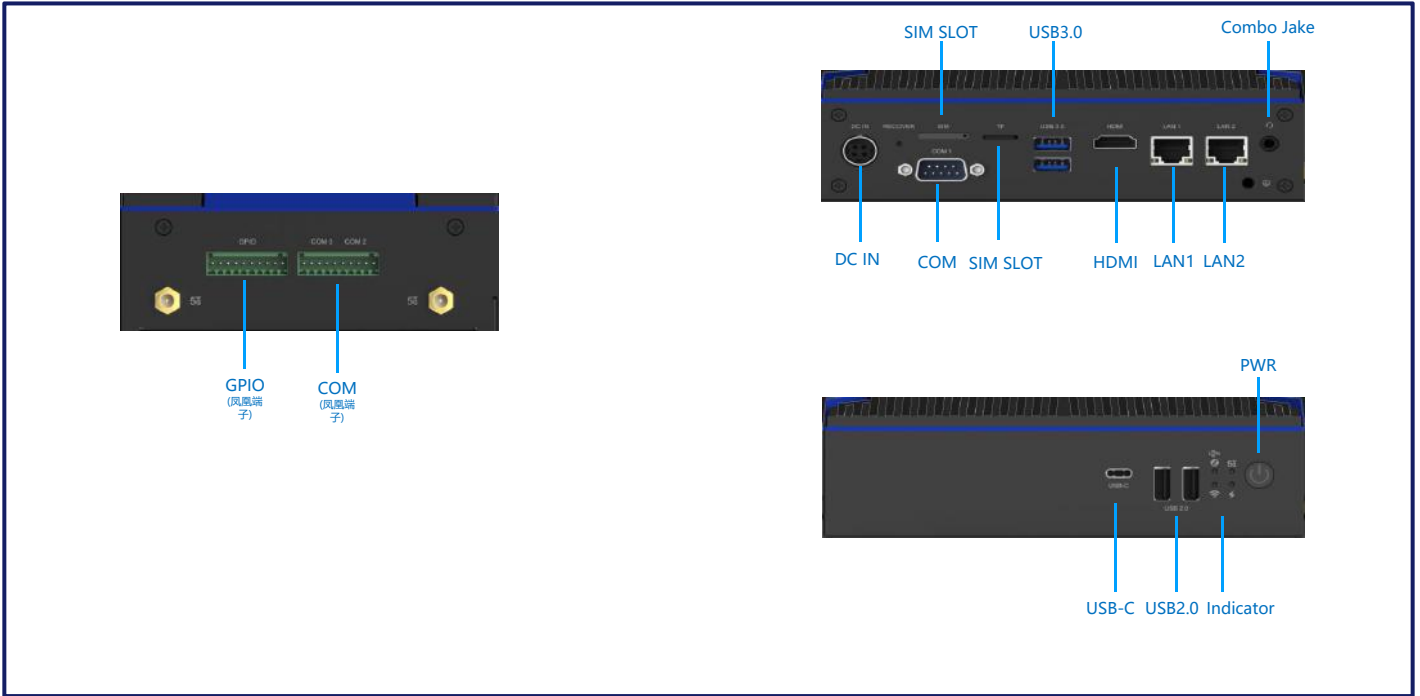


- Jetson Orin NX series modules
- Orin NANO 4GB/8GB RAM optional
- Support M.2 NVME SSD Storage
- Support HDMI Out
- Dual Gigabit Ethernet ports
- M.2 expansion for WIFI/BT
- M.2 expansion for 4G/5G
- 6 USBs, 4 COMs
- Support TPM/TCM
- Support Ubuntu

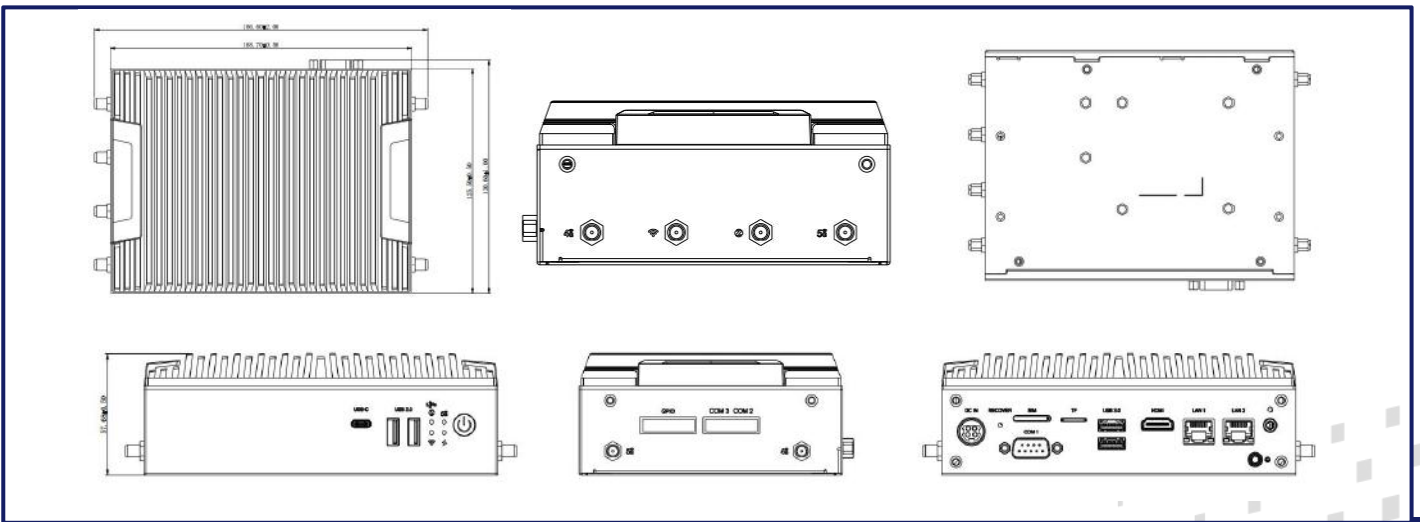
01 Specifications

ORIN Module	Jetson Orin NX 8GB	Jetson Orin NX 16GB
CPU	6 Cores A78, 2.0Ghz	8 Cores A78, 2.0Ghz
GPU	Ampere,1024 CUDA Cores,32 Tensor Cores,765Mhz	Ampere,1024 CUDA Cores,32 Tensor Cores,918Mhz
NPU	70Tops Int8	100Tops Int8
RAM	LPDDR5 8GB	LPDDR5 16GB
Storage	1 x M.2 2280 NVME SSD 1 x TF Slot	
Wired Network	2 x RJ45, 10/100/1000Mbps	
Wireless Network	1 x M.2 Key-B for 4G/5G module 1 x M.2 Key-E for WIFI/BT module, WIFI5/WIFI6 is optional 1 x Mini-PCIe for Lora wireless (optional)	
Display	1 x HDMI Out, up to 4k@60Hz	
Audio	1 x 3.5mm Combo Jack (CTIA)	
USB	IO: 2 x USB3.0 Type-A, 2 x USB2.0 Type-A; 1 x TYPE-C (USB3.0&OTG)	
COM	IO: 1 x 10pin Phoenix terminal (1*RS232+1*RS485) , 1 x DB9 (RS232/485 Optional) Onboard: 1 x 4pin (RS232/TTLOptional)	
GPS	Onboard GPS Module (Optional)	
TPM/TCM	Onboard TCM Module (Z32H330TC); USB2.0 Pin (for encryption module)	
Expansion Slots	1 x 10pin Phoenix terminal (4 input, 4 output) 1 x SIM Slot 2 x JLED Pin 1 x JPWR_ON 1 x CPU FAN Pin 1 x Buzzer 1 x CAN Pin 1 x Recovery Key	
Power Supply	IO: 12V DC IN, 5.5*2.5mm DC JACK Pin: 1 x 12V DC IN, 4pin, 1 x 12V DC OUT, 4pin	
Dimensions	187mmx 131mmx 54mm	
OS	Ubuntu20.04	
Operating Conditions	0°C~60°C, 10%~90% non-condensing	
Storage Conditions	-20°C~70°C, 5%~95%non-condensing	

Product view



Dimensions



Order Information

Model	Configuration
E618-A	Jetson Orin NX/8GB /256GB/WIFI5/6*USB/2*RS485+2*RS232 (Support 5G, Lora Optional)
E618-B	Jetson Orin NX/16GB /512GB/WIFI5/6*USB/2*RS485+2*RS232 (Support 5G, Lora Optional)