

# S102T OPS-C PC Module Spec V1.0

JWIPC OPS-C host is equipped with Intel's 12th generation Core Alder Lake-S processor, and 80pin supports up to 4K@60HZ resolution output. It can provide high-quality hardware for education/conference large screens and computing support. Built-in high-performance integrated graphics card, wireless module, support gigabit network, ensure clear picture quality of large screen, stable network, and further enhance the use and display experience of large screen.

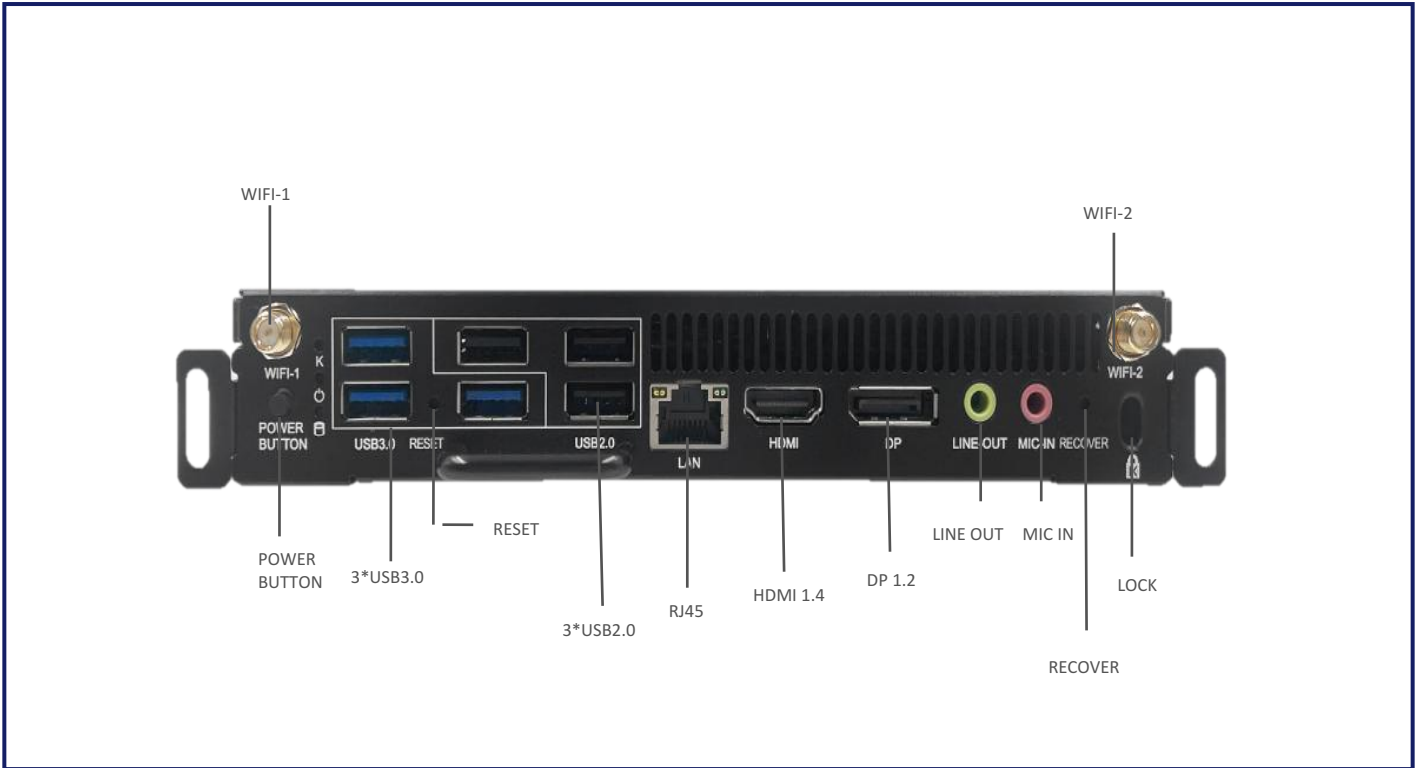


- Intel Alder Lake-S platform
- Intel®OPS-C Standard Module
- Dual SO-DIMM DDR4 , Up to 3200Mhz
- M.2 2280 SSD Slot , Support SATA/NVME SSD
- Support M.2 2230 WIFI/BT slot
- Support DP 1.2
- Support HDMI 2.0 S L Q Ø
- 6 X S S R U W 7 3 0 < 2 S W L R Q Ø

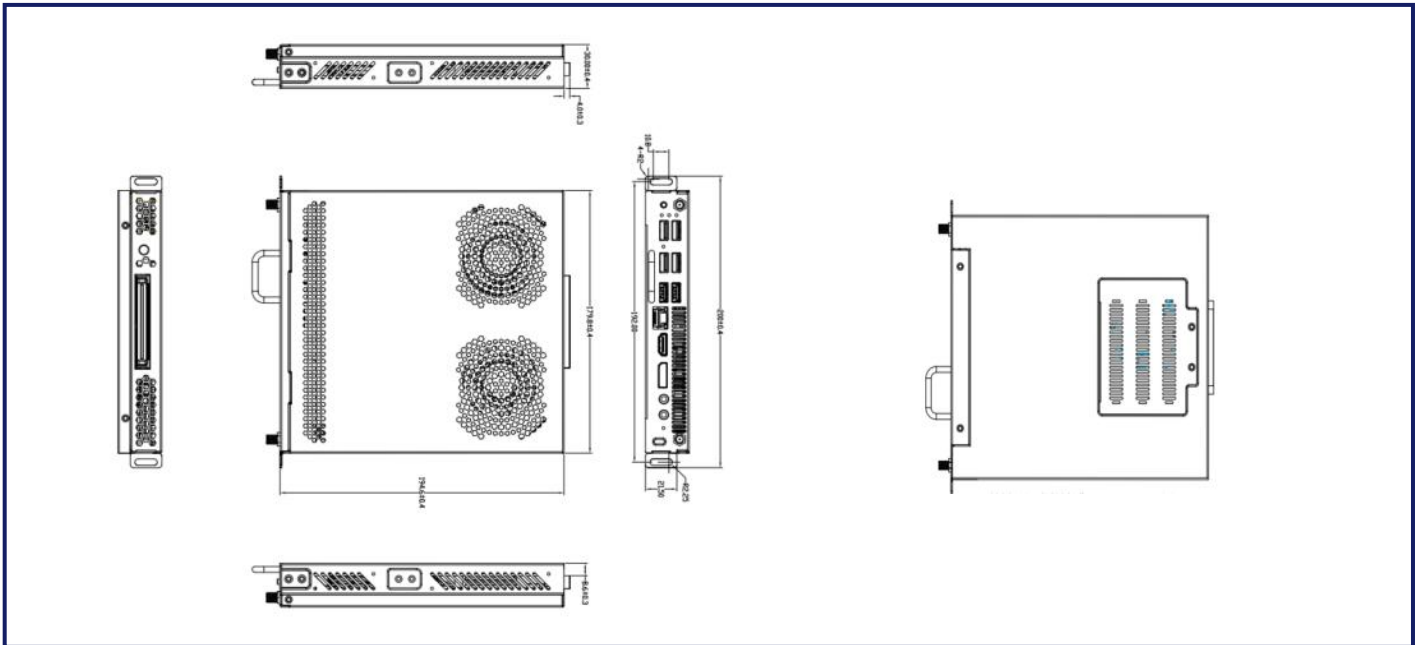
## 01 Specifications

	CPU	Intel® Alder Lake-S , TDP. 65W
	Chipset	INTEL H610 PCH
	BIOS	AMI UEFI BIOS
	Processor Graphics	Intel UHD Graphics
	Multi displays	3
	Interface	1 x DP1.2, 1 x HDMI 1.4, 1 x HDMI 2.0 (80Pin )
	Type	2 x SO-DIMM DDR4 Up to 3200
	Max	64GB
	Lan IC	1 x Realtek Gigabit Ethernet
	Interface	10/100/1000Mbps
	Connector	1 x RJ45
	Type	Wi-Fi/BT module , Supports 802.11 b/g/n/ac/ax
	Interface	1 x M.2 2230
	Type	SSD
	Interface	1 x M.2 2280 for NVME/SATA SSD
	Front panel	1 x HDMI 1.4 1 x DP1.2 3 x USB 2.0 , 3 x USB 3.0 1 x RJ45 1 x MIC IN , 1 x LINE OUT 2 x Wi-Fi/BT ANT 1 x Power button , 1 x Reset Button , 1 x Recover
	Rear panel	OPS-C 80pin: 1xHDMI2.0 , 2 x USB2.0 , 1 x USB3.0 , TTL 1 x 2.5/5.5 DC IN JACK
	OS Supports	WINDOWS 10/WINDOWS 11/LINUX
	Watchdog	Support
	vPro/AMT	No
	TPM	TPM2.0 ( Option )
	Power input	12~19V DC IN, 2.5/5.5 DC Jack
		195 x 180 x 30 mm
	N.W	1.22kg
	G.W	1.50kg
	Operating Temp.	-10~50°C
	Operating Humidity	10%~90% non-condensing
	Storage Temp.	-20~70°C
	Operating Humidity	5%~95% non-condensing

## 02 Product view



## 03 Dimensions



## 04 Order Information

S102T-I3	i3-12100/M.2 SSD/ SO-DIMM DDR4/ WIFI+BT module/ HDMI2.0
S102T-I5	i5-12400/M.2 SSD/ SO-DIMM DDR4/ WIFI+BT module/ HDMI2.0
S102T-I7	i7-12700/M.2 SSD/ SO-DIMM DDR4/ WIFI+BT module/ HDMI2.0